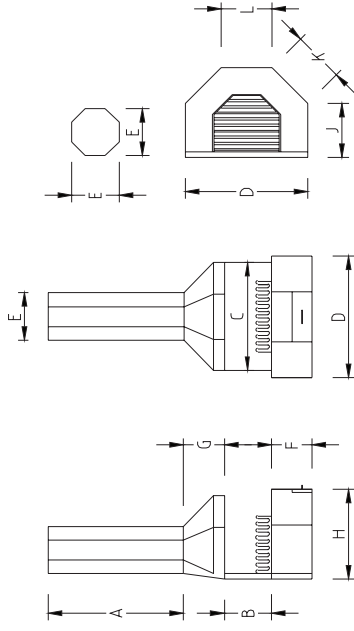


# Alpine Open Freestanding Fireplace Range

For many people, an open fireplace is the cosiest way to keep warm.

This unique fireplace, the Alpine, as originally designed by Home Fires, will really bring warmth to your home. You can now use this attractive and functional open fireplace as a room divider. The movable glass screen lends a mystical look to the fire and it enables you to direct radiated heat towards different room areas. Should you have a space problem, you can still enjoy this stunning fireplace by installing the half-round wall mounted unit.



## Alpine Wall Unit Freestanding Fireplace

Model 800. The Alpine Wall unit is ideal for application against a straight wall. The large ash drawer in the foot piece makes cleaning an easy and less frequent task. The three sided glass shield is in this case divided in two sections.

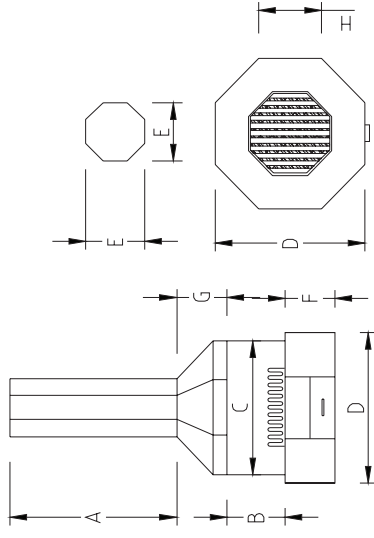
### Alpine Wall Unit

MODEL	Heating Volume m <sup>3</sup>											
	A	B	C	D	E	F	G	H	J	K	L	
800	3600	300	300	815	900	340	305	325	675	395	375	375
												WOOD ANTHRACITE
												120



3.6m Flue pipe, rotating cowl, escutcheon plate, grate basket, ash drawer, three sided glass shield, insulation material and touch-up paint is standard issue with the whole range. Also included is a guarantee certificate and instruction manual.

All models are available in 3CR12 or 304 stainless steel. Special order only.



## Alpine Full Octagonal Unit Freestanding Fireplace

Model 800 and 1000. Utilising this Octagonal freestanding fireplace as a room divider is a novel idea for optimal heat dispersion. The direction of heat radiation can be controlled with the glass shield. An archway between two rooms can also make a nice setting for this unit. The large ash drawer in the foot piece makes cleaning an easy and less frequent task.

### Alpine Full Octagonal Unit

MODEL	Heating Volume m <sup>3</sup>										
	A	B	C	D	E	F	G	H	G	H	
800	3600	330	330	815	920	340	310	325	375	150	
1000	3600	460	460	1025	1225	425	415	390	500	240	
										WOOD ANTHRACITE	